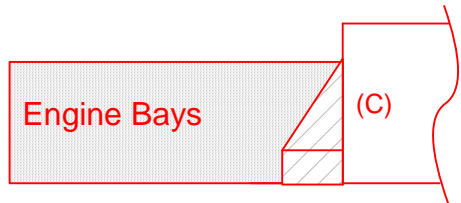
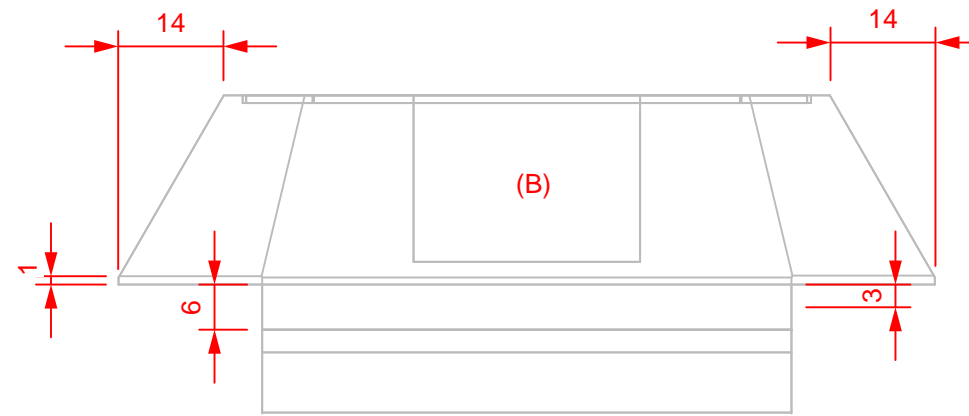
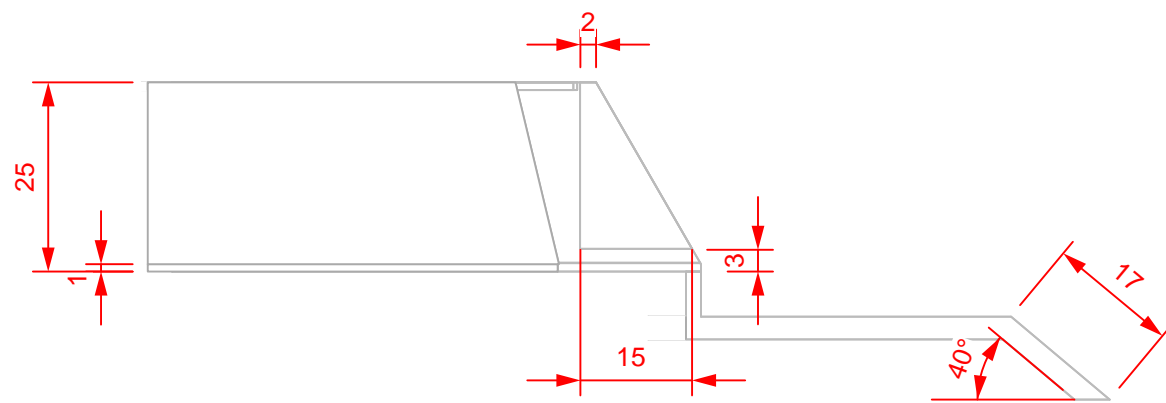


Cut through this section along angle of armour plate.

This Conversion Plate Replaces the majority of the top plate of the Baneblade Chassis. Detail is added to this and area (A) is joined onto the engine bay top section that was cut away from the original Baneblade top plate. This Top Plate will then form the main part of the conversion to either a Shadowsword or Stormblade Superheavy Tank by adding the appropriate weapon to the mounting area (B).



Use hashed Side Plates at (C) To fill gaps to join with plate across front of engine bays.

ALL DIMENSIONS IN mm UNLESS OTHERWISE STATED		<b>GRAPHICS</b>	
		DATE: 11/11/07	
SCALE:1:1	SHEET 1 OF 1	Justin Cupitt	A3